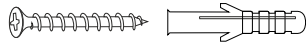


REQUIRED

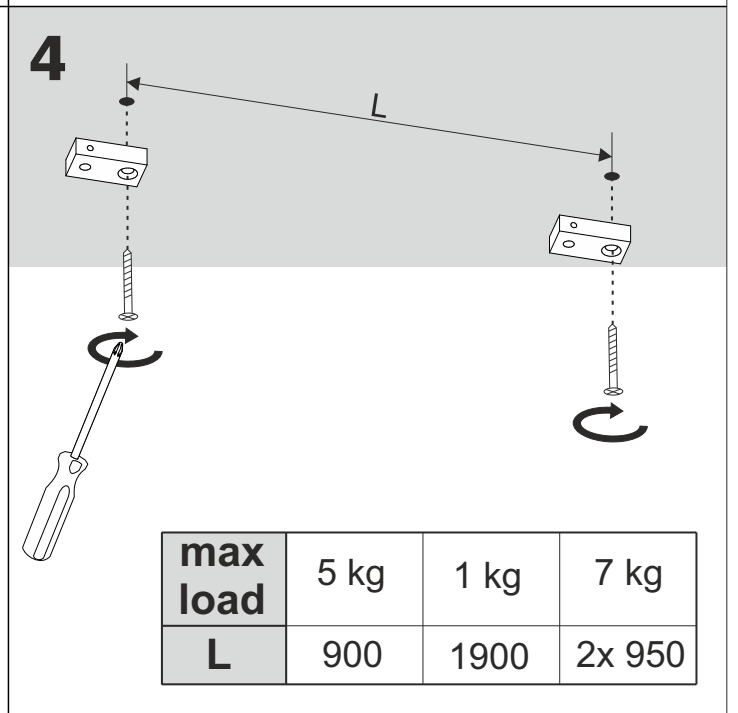
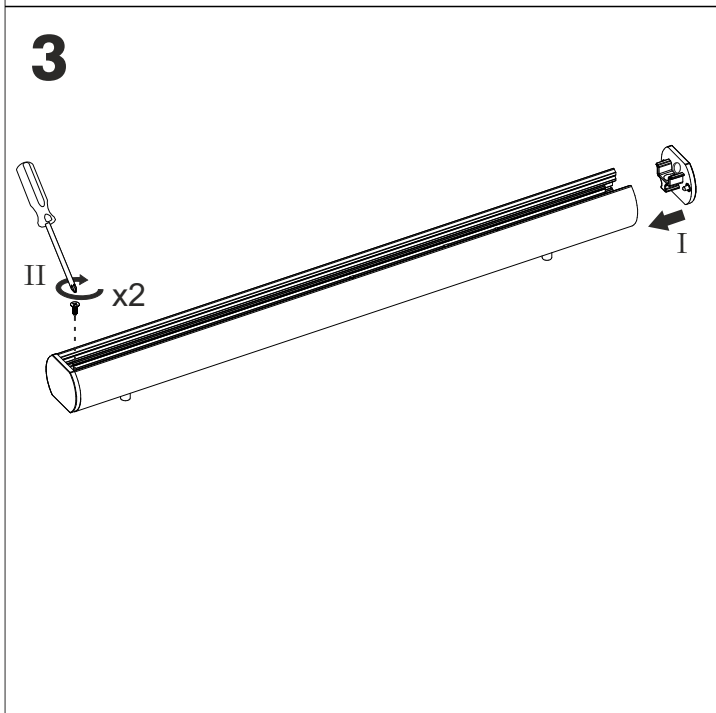
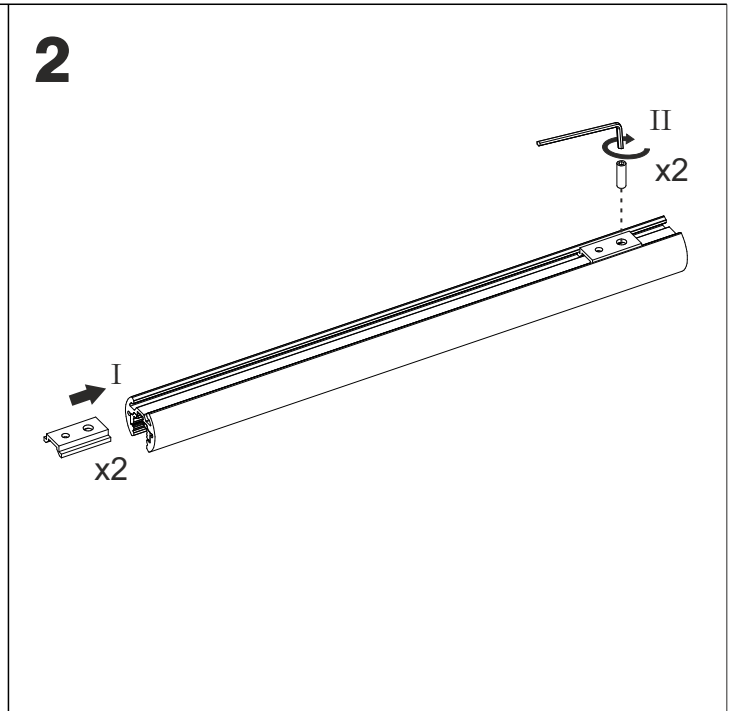
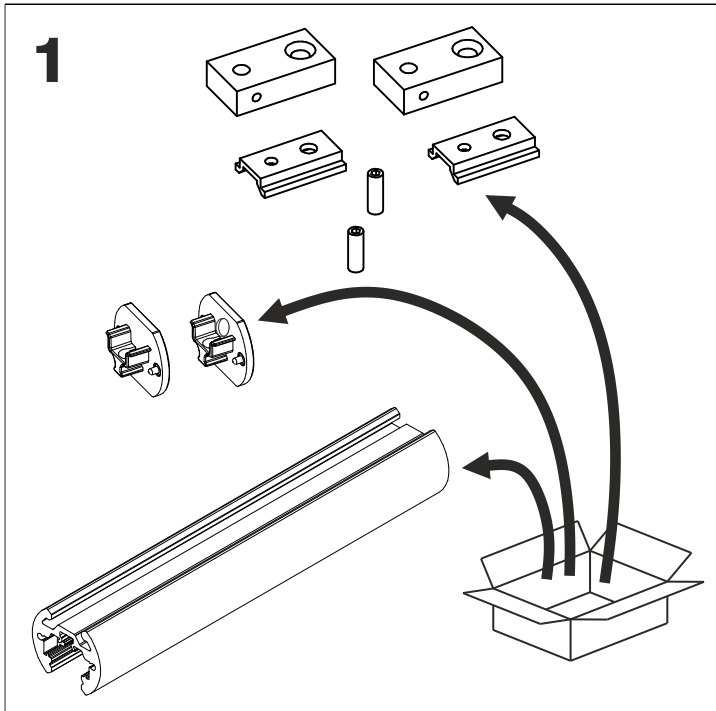
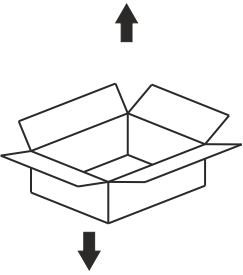
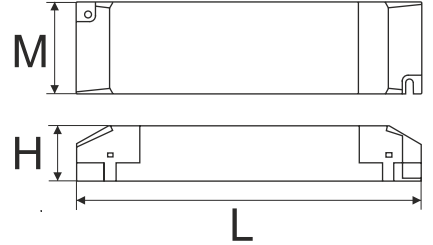


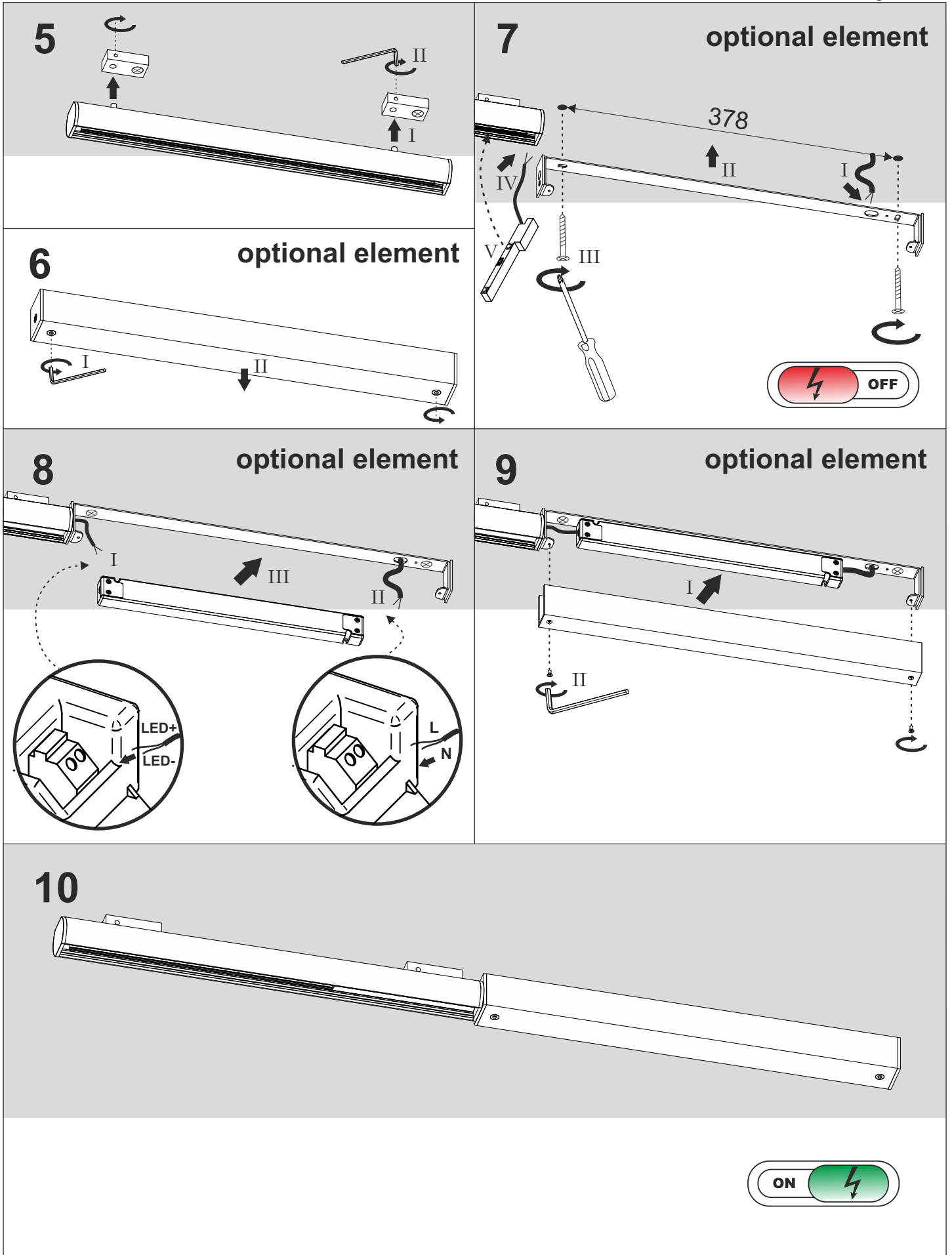
power supply dimensions

DRIVER	60W	100W	200W
L [mm]	163	300	390
M [mm]	43	30	30
H [mm]	32	17	23

straight microtrack line requirement

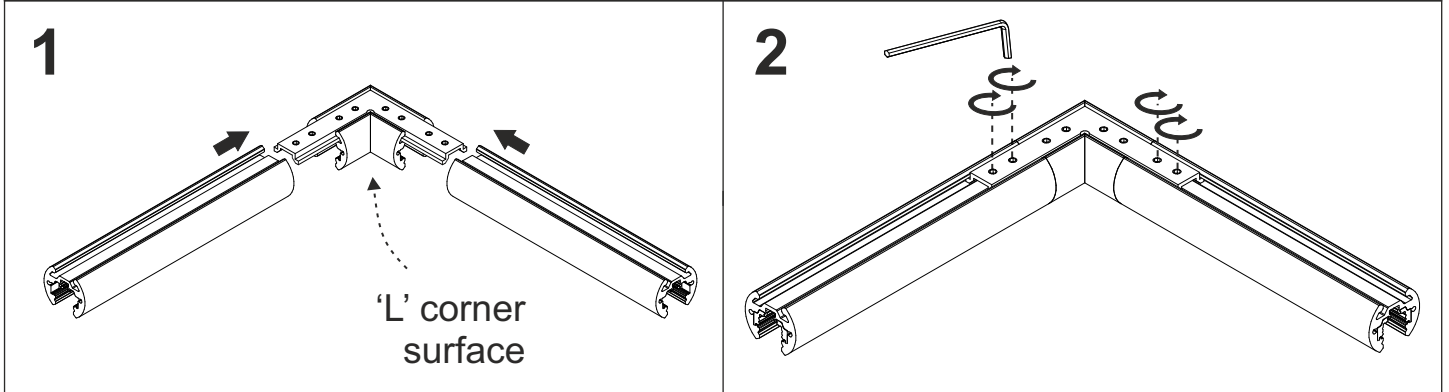
	screw		mounting element		power supply
	end cup		mounting element		screw



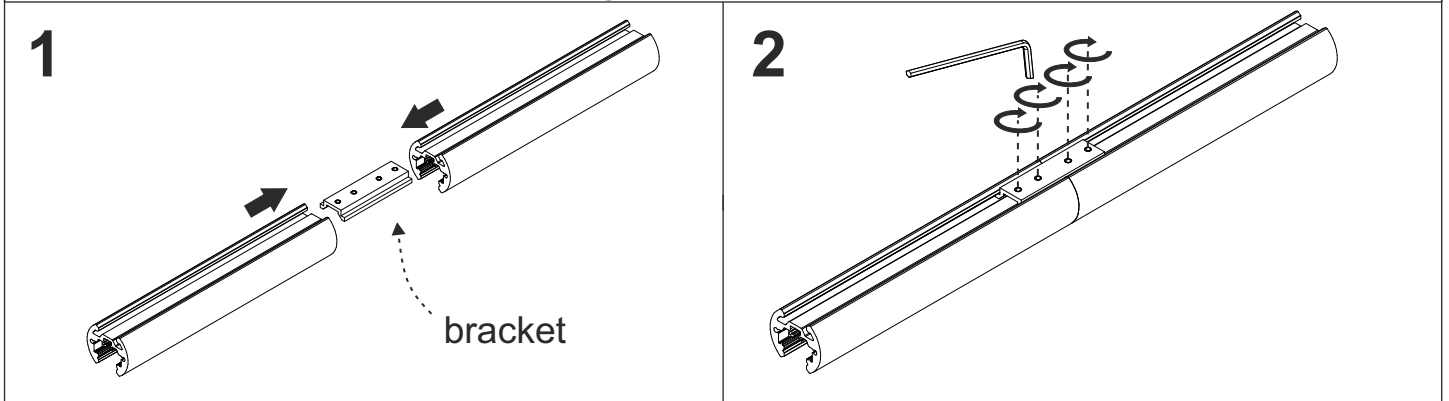


mechanical connection

„L” - connection

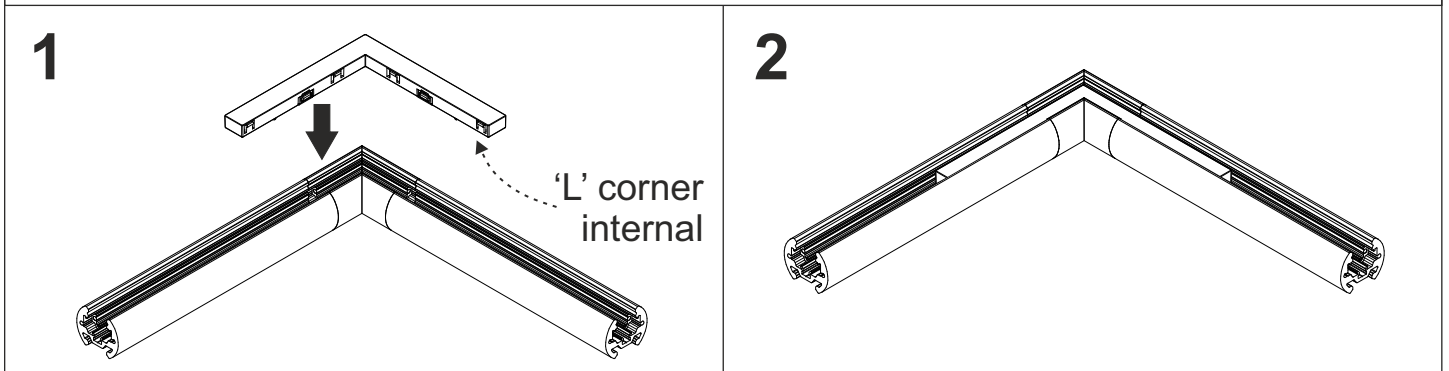


straight - connection



electrical connection

„L” - connection



straight - connection

